

## Computer Operated Blending Accessories



### Description

MATHESON offers accessories to set up blending systems for up to nine gas components using the 829 series mass flow controllers.

MATHESON's BLC-9 breakout box makes connecting, monitoring and controlling up to nine mass flow instruments to a single computer or programmable logic controller (PLC) easy and efficient. The BLC-9 is also an ideal solution for multiple flow instrument installations where devices are a long distance from the control site.

Each BLC-9 is built into a light, yet rugged, composite chassis that can be mounted in any orientation via its 3/16" diameter mounting holes. A single cable allows a user to independently monitor and operate as many as nine flow devices from a single computer. In installations that require more than nine flow devices, multiple BLC-9s can be daisy-chained to control up to twenty six devices. All BLC-9 models feature a common power bus, so power supplied to the BLC-9 will also power the devices it is controlling.

### Accessories

- RJC Series double-ended RJ-45 cables
- PS24V1A power supply
- Flow Manager software
- Flow Blender gas mixing software

### Flow Management Software

Flow Manager is an affordable software program that interfaces with the RS-232 and RS-485 communication that is standard on all of our flow products. The graphical user interface (GUI) provides automatic configuration, session saving for easy configuration and experiment setup reloads, data capturing and logging (including a graphing tool), simple and advanced script building for automating meter and control command sequences, software alarms and support for multiple devices.

Flow Manager also provides easy access to the gas calibration selector, address assignment to individual devices and PID loop tuning. PID loop adjustments can be used with our controllers to adjust the algorithms for speed of response and to accommodate conditions unique to your application.

### Flow Blender Gas Mixing Software

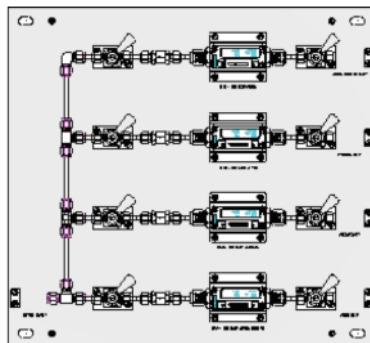
Flow Blender is an affordable software program that allows users to easily configure up to six mass flow controllers within a gas mixing station. Using an easy to understand graphical user interface (GUI), Flow Blender makes mixing gases very easy. Blender offers a set up wizard for easy setup, the ability to save individual mixtures for easy loading, data logging to review mixture accuracy and performance and easy-to-use sliders to quickly adjust the total mixture percentage or the percentage of a single controller or multiple controllers.

Flow Blender is an easy to use alternative to manual mixture setups that will save time and money by cutting down setup times and reducing mixture errors by making monitoring and adjusting a simple task.

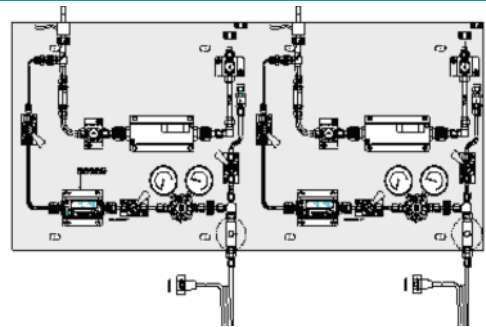


### Need something special?

- Custom turnkey blending panels and systems can be designed to meet your specifications.
- Available with stainless steel compression fittings and components, or high purity welded and face seal fittings to meet your purity requirements.



Four channel blending panel with isolation valves for four gases.



Dual two channel blending panels with regulators, excess flow switches, isolation valves, purge gas inlets, emergency shut off valves, and pigtails. Designed for mounting in a cylinder safety enclosure.